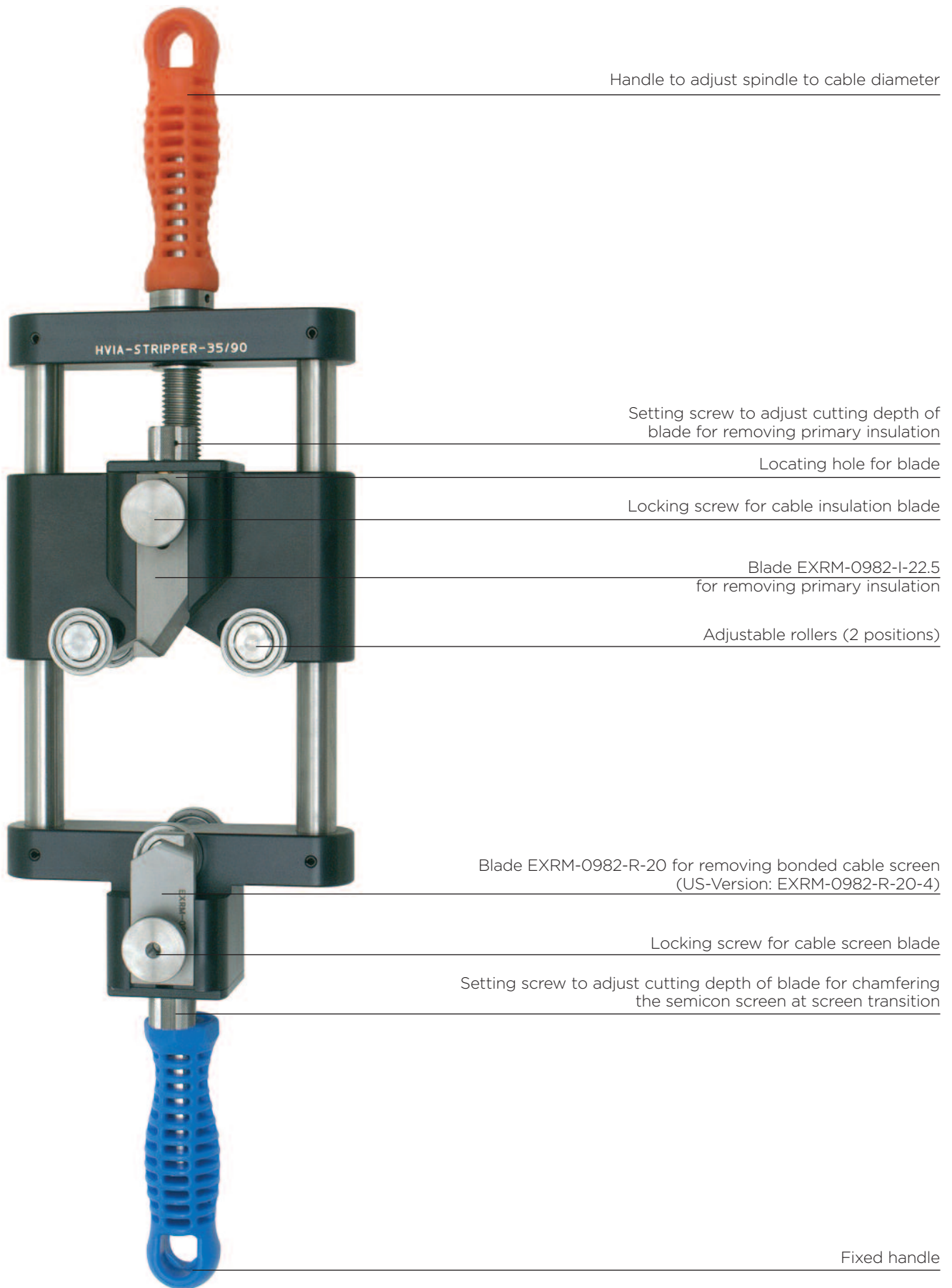




Raychem Stripping Tool for Extruded and Bonded Cable Screens

Raychem
from TE Connectivity

Raychem Stripping Tool HVIA-STRIPPER-35/90 for Extruded and Bonded Cable Screens and Primary Insulation for Cable Diameters from 35 to 90 mm





The stripping blade is adjustable.

Coarse adjustment: Remove locking screw and reposition blade.

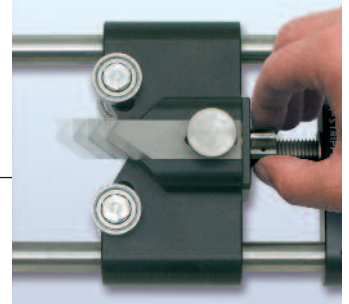
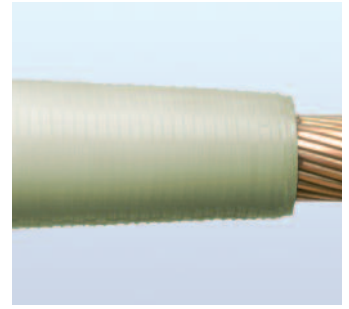
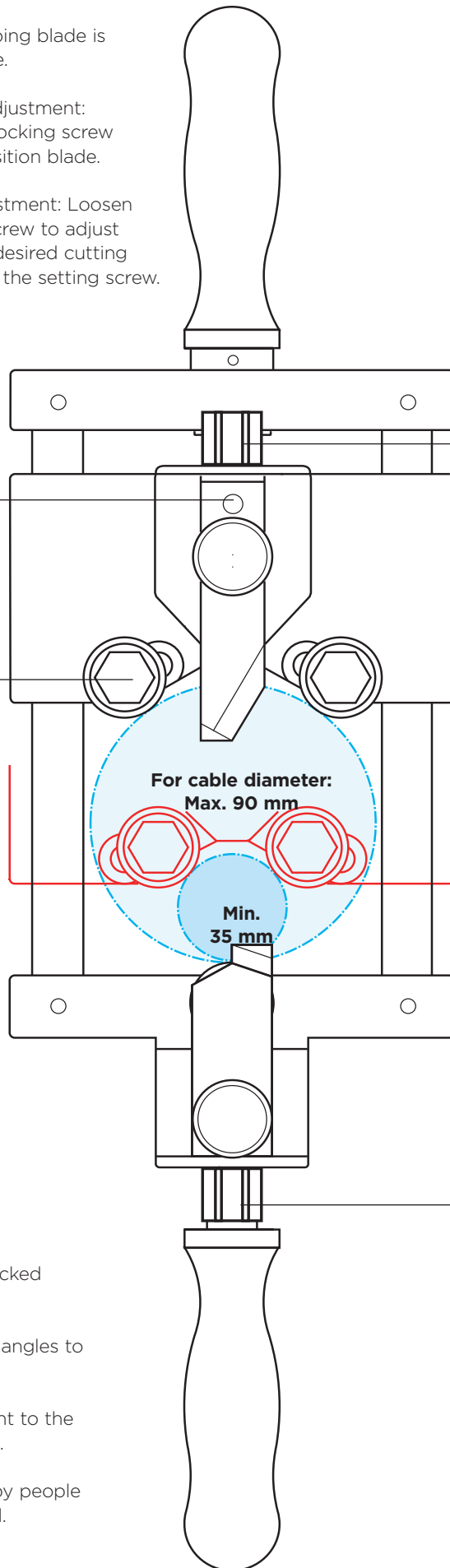
Fine adjustment: Loosen locking screw to adjust blade to desired cutting depth via the setting screw.



Adjust rollers to cable diameter until they are in contact with the bonded screen.

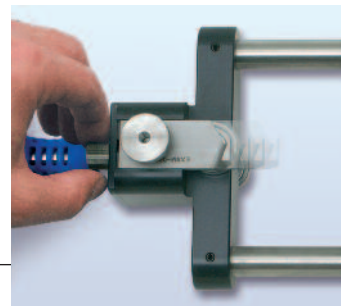
Notes:

- The tool is supplied with blades packed separately in the case.
- The cable must be aligned at right angles to the stripper tool.
- Apply a thin layer of silicon lubricant to the bonded screen for easy movement.
- The tool should be operated only by people trained in handling this type of tool.



Loosen locking screw to adjust blade to desired cutting depth.

Loosen locking screw to adjust blade to desired cutting depth.



About TE Connectivity

TE Connectivity is a global, \$14 billion company that designs and manufactures approximately 500,000 products that connect and protect the flow of power and data inside the products that touch every aspect of our lives. Our nearly 100,000 employees partner with customers in virtually every industry – from consumer electronics, energy and healthcare, to automotive, aerospace and communication networks – enabling smarter, faster, better technologies to connect products to possibilities.

More information on TE Connectivity can be found at: www.te.com

While TE Connectivity (TE) has made every reasonable effort to ensure the accuracy of the information in this catalog, TE does not guarantee that it is error-free, nor does TE make any other representation, warranty or guarantee that the information is accurate, correct, reliable or current. TE reserves the right to make any adjustments to the information contained herein at any time without notice. TE expressly disclaims all implied warranties regarding the information contained herein, including, but not limited to, any implied warranties of merchantability or fitness for a particular purpose. The dimensions in this catalog are for reference purposes only and are subject to change without notice. Specifications are subject to change without notice. Consult TE for the latest dimensions and design specifications. Raychem, TE Connectivity and TE Connectivity (logo) are trademarks.

TE Energy – innovative and economical solutions for the electrical power industry: cable accessories, connectors & fittings, insulators & insulation, surge arresters, switching equipment, street lighting, power measurement and control.

Tyco Electronics Raychem GmbH
a TE Connectivity Ltd. Company
TE Energy
Finsinger Feld 1
85521 Ottobrunn/Munich, Germany

Phone: +49-89-6089-0
Fax: +49-89-6096345

energy.te.com

